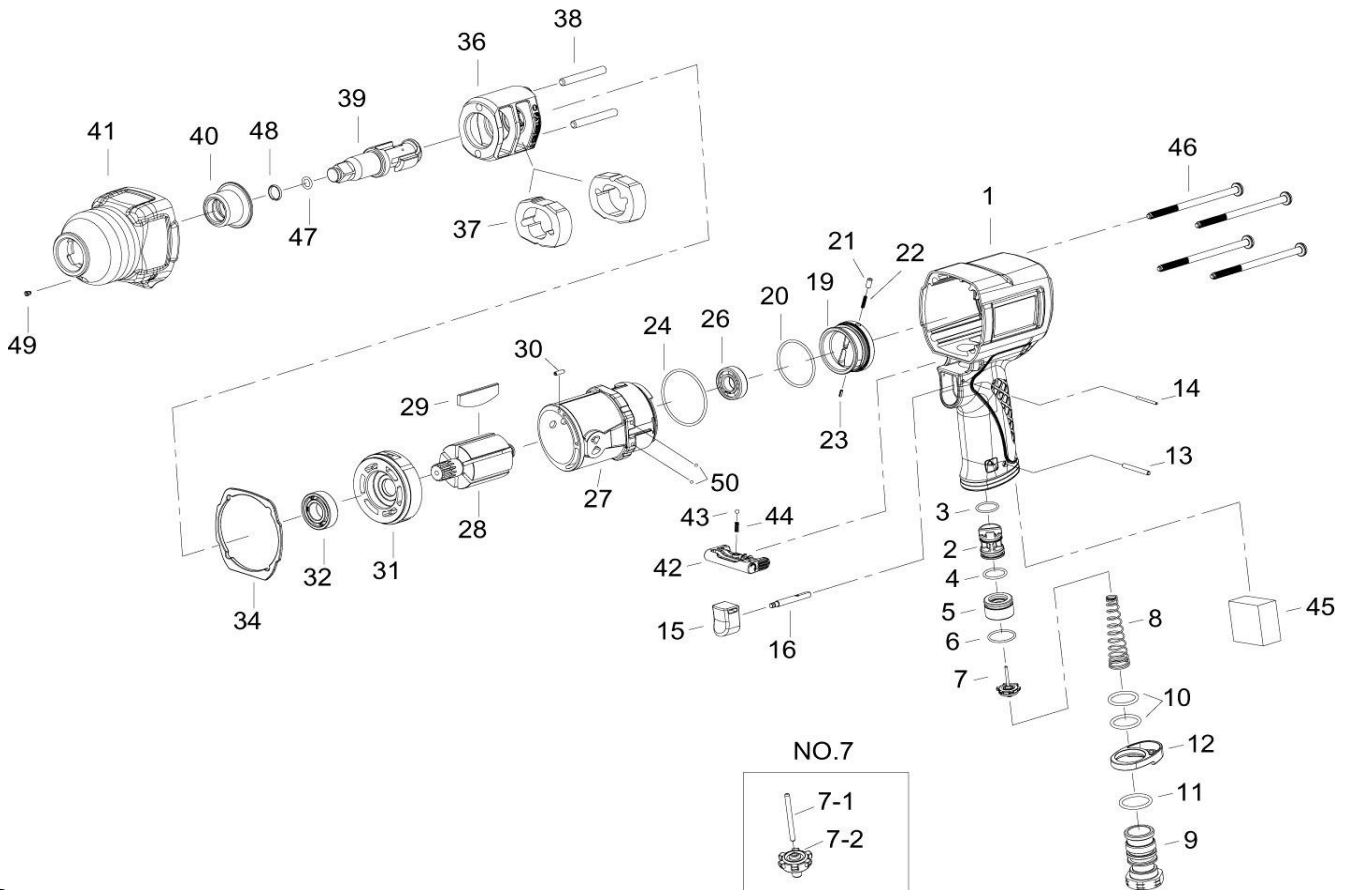


C2111 & C2121

1/2" SQ. DR. SUPER DUTY AIR IMPACT WRENCH (W/2" ANVIL) -COMPOSIT HOUSING



PARTS LIST

| No. | Parts No. | Description | Q'ty |
|-----|---------------|--|------|
| 1 | C2111-01-CAPS | Motor Housing | 1 |
| 2 | C2111-02 | Reverse Valve | 1 |
| 3 | C2111-03 | O-Ring | 1 |
| 4 | C2111-04 | O-Ring | 1 |
| 5 | C2111-05 | Throttle Valve Seat | 1 |
| 6 | C2111-06 | O-Ring | 1 |
| 7 | C2111-07 | Throttle Valve Assembly [Incl. 7-1, 7-2] | 1 |
| 8 | C2111-08 | Spring | 1 |
| 9 | C2111-09A | Air Inlet (PT19) | 1 |
| | C2111-09B | Air Inlet (NPT18) | 1 |
| 10 | C2111-10 | O-Ring | 2 |
| 11 | C2111-11 | O-Ring | 1 |
| 12 | C2111-12 | Exhaust Deflector | 1 |
| 13 | C2111-13 | Spring Pin | 1 |
| 14 | C2111-14 | Spring Pin | 1 |
| 15 | C2111-15 | Trigger Assembly [Incl. 16] | 1 |
| 19 | C2111-19 | Reverse Valve Knob | 1 |
| 20 | C2111-20 | O-Ring | 1 |
| 21 | C2111-21 | Pin | 1 |
| 22 | C2111-22 | Spring | 1 |
| 23 | C2111-23 | Spring Pin | 1 |
| 24 | C2111-24 | O-Ring | 1 |
| 26 | C2111-26 | Ball Bearing | 1 |
| 27 | C2111-27 | Cylinder Assembly [Inc. 50(2)] | 1 |

| No. | Parts No. | Description | Q'ty |
|-----|-----------|---|------|
| 28 | C2111-28 | Rotor | 1 |
| 29 | C2111-29 | Rotor Blade | 6 |
| 30 | C2111-30 | Spring Pin | 1 |
| 31 | C2111-31 | Front End Plate | 1 |
| 32 | C2111-32 | Ball Bearing | 1 |
| 34 | C2111-34 | Gasket | 1 |
| 36 | C2111-36 | Hammer Frame | 1 |
| 37 | C2111-37 | Hammer | 2 |
| 38 | C2111-38 | Hammer Pin | 2 |
| 39 | C2111-39A | 1/2" Anvil [ST-C2111] | 1 |
| | C2121-39B | 1/2" Anvil 2" Extended [ST-C2111-2] | 1 |
| 41 | C2111-41 | Hammer Case Assembly [Incl. 40, 49] | 1 |
| 42 | C2111-42 | Reverse Knob | 1 |
| 43 | C2111-43 | Steel Ball | 1 |
| 44 | C2111-44 | Steel Ball Spring | 1 |
| 45 | C2111-45 | Exhaust Deflector | 1 |
| 46 | C2111-46 | Screw | 4 |
| 47 | C2111-47 | O-Ring | 1 |
| 48 | C2111-48 | Socket Retainer | 1 |
| | C2111-TK | Tune-Up Kit [Incl. 3, 4, 6, 8, 10(2), 11, 20, 22, 24, 29(6), 34, 43, 44, 45, 47, 48, 50(2)] | 1 |